



## Lightning Protection 雷电保护



Aluminium Air Rods

Size	Length	Weight	Pack Qty	Order Number
M10	300	0.06	10	BRAT001
M10	500	0.10	5	BRAT002
M10	1000	0.21	5	BRAT003
M16	300	0.16	10	BRAT004
M16	500	0.27	5	BRAT005
M16	1000	0.54	5	BRAT006

Material: Aluminium with 40mm thread and a nut for installation  
Air Rods without screw thread is available



Copper Air Rods

Size	Length	Weight	Pack Qty	Order Number
M10	300	0.21	10	BRAT020
M10	500	0.35	5	BRAT021
M10	1000	0.70	5	BRAT022
M16	300	0.54	10	BRAT023
M16	500	0.89	5	BRAT024
M16	1000	1.79	5	BRAT025
M16	1500	2.68	5	BRAT026
M16	2000	3.58	5	BRAT027

Material: Copper with 40mm thread and a nut for installation  
Air Rods without screw thread is available



Stainless Steel Air Rods

Size	Length	Weight	Pack Qty	Order Number
M10	300	0.18	10	BRAT030
M10	500	0.31	5	BRAT031
M10	1000	0.61	5	BRAT032
M16	300	0.47	10	BRAT033
M16	500	0.78	5	BRAT034
M16	1000	1.57	5	BRAT035
M16	1500	2.35	5	BRAT036
M16	2000	3.14	5	BRAT037
M16	1000	1.57	5	BRAT038
M16	1500	2.35	5	BRAT039
M16	2000	3.14	5	BRAT040

Material: Stainless steel with 40mm thread and a nut for installation  
BRAT038-BRATA40 one side with recessed M10 inner screw thread  
to combine with M10 rod.



Air Rod

Length	Rod dia	Screw Size	Material	Order Number
300mm	14	5/8"	Cu/Brass	BRAT331
500mm	14	5/8"	Al	BRAT332
500mm	16	5/8"	Cu/Brass	BRAT333
1000mm	16	5/8"	Al	BRAT334



Rod Base

Screw Size	Material	Order Number
10mm <sup>2</sup>	Cu	BRAT341
5/8"	Cu	BRAT342
16mm <sup>2</sup>	Cu	BRAT343
10mm <sup>2</sup>	Brass	BRAT344
5/8"	Brass	BRAT345
16mm <sup>2</sup>	Brass	BRAT346



Copper Clad Steel Wire

Size mm <sup>2</sup>	Stranding No. x mm	Nominal mm	Weight per meter kg	Order Number
16	7X1.70	5.10	0.15	BRAT201
25	7x2.14	6.50	0.23	BRAT202
35	7x2.52	7.60	0.32	BRAT203
50	7x3.0	9.00	0.43	BRAT204
70	7x3.52	11.00	0.62	BRAT205
95	19x2.52	12.60	0.86	BRAT206
120	19x2.8	14.00	1.09	BRAT207
150	19X3.2	16.00	1.33	BRAT208
185	19x3.52	17.60	1.67	BRAT209
240	19x4.0	20	2.20	BRAT210
300	37x3.7	22.4	2.76	BRAT211
400	37x4.0	25.90	3.53	BRAT212





Copper Clad Steel Busbar

Size mm	Length m	Nominal mm	Weight per meter kg	Order Number
20x4	3	5.10	0.15	BRAT231
20x6	3	11.00	0.62	BRAT232
22x7	3	12.60	0.86	BRAT233
25x4	3	6.50	0.23	BRAT234
27x7	3	14.00	1.09	BRAT235
32x7	3	16.00	1.33	BRAT236
37x7	3	17.60	1.67	BRAT237
40x4	3	7.60	0.32	BRAT238
50x5	3	9.00	0.43	BRAT239

6 meter are available



Copper Clad Steel Busbar with Shrink tube

Size	Orientation	Material	Order Number
25X3	Verticle	Cu	BRAT241



Solid Conductor

Size	Material	Weight	Pack Qty	Order Number
M8	Cu	0.44	50m	BRAT251
M8	Al	0.12	50m	BRAT252



Copper Clad Steel Rods

Size	Length	Weight	Pack Qty	Order Number
16	1000	0.35	5	BRRD001
20	1000	0.70	5	BRRD002
25	1000	0.21	5	BRRD003



Stainless Steel Earth Rods

Size	Length	Weight	Pack Qty	Order Number
16	1000	0.35	5	BRRD011
20	1000	0.70	5	BRRD012
25	1000	0.21	10	BRRD013



Drive for Earth Rods

Size	Length	Weight	Pack Qty	Order Number
16	1000	0.21	5	BRRD051
20	1000	0.35	5	BRRD052
25	1000	0.70	5	BRAT053



Earth Rod Link

Size	Length	Weight	Pack Qty	Order Number
16	1000	0.21	5	BRRD061
20	1000	0.70	5	BRRD062
25	1000	0.21	10	BRRD063

Material: Brass link with screw thread to joint the earth rod



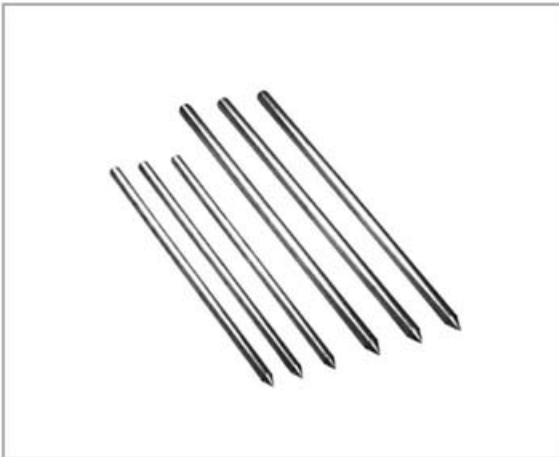
Earth Rod Driving Spike

Size	Length	Weight	Pack Qty	Order Number
16	1000	0.21	5	BRRD071
20	1000	0.70	5	BRRD072
25	1000	0.21	10	BRRD073



Copper Clad Steel Rods

Size	Length	Weight	Pack Qty	Order Number
16	1000	0.35	5	BRRD031
16	1500	0.35	5	BRRD032
16	2400	0.35	5	BRRD033
16	3000	0.70	5	BRRD034
20	1500	0.21	5	BRRD035
20	2400	0.35	5	BRRD036
25	2000	0.21	5	BRRD037
25	2500	0.21	5	BRRD038



Steel Rods

Size	Length	Weight	Pack Qty	Order Number
16	1000	0.35	5	BRRD041
16	1500	0.35	5	BRRD042
16	2400	0.35	5	BRRD043
16	3000	0.70	5	BRRD044
20	1500	0.21	5	BRRD045
20	2400	0.35	5	BRRD046
25	2000	0.21	5	BRRD047
25	2500	0.21	5	BRRD048



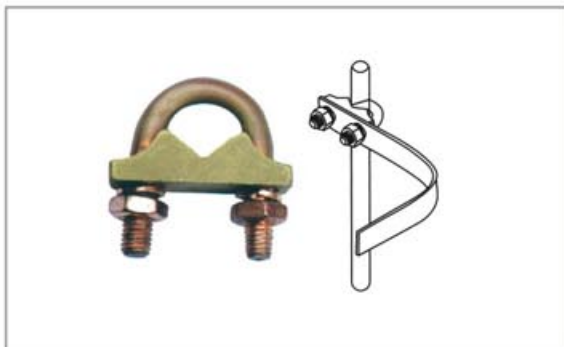
Electric conduct concrete mixer

Concrete mixer	Weight	Order Number
	25	BRER901



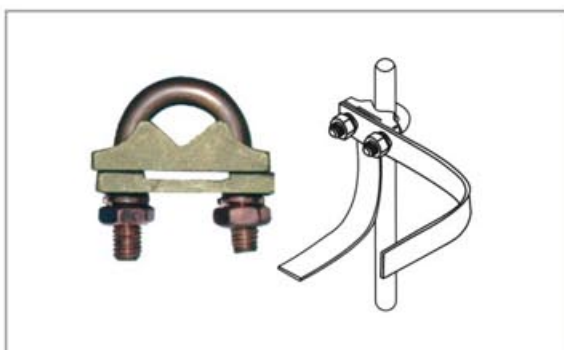
Resistance Reducer

Concrete mixer	Weight	Order Number
	25	BRER902



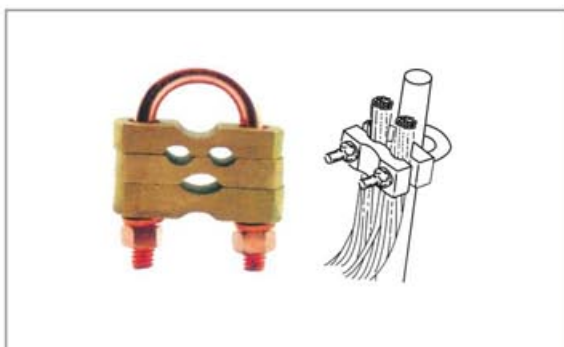
Rod to busbar clamp

for Rod dia	Material	Order Number
16mm	Cu/Brass	BRAT101
20mm	Cu/Brass	BRAT102



Rod to double busbar clamp

for Rod dia	Material	Order Number
16mm	Cu/Brass	BRAT111
20mm	Cu/Brass	BRAT112



Rod to Cable clamp

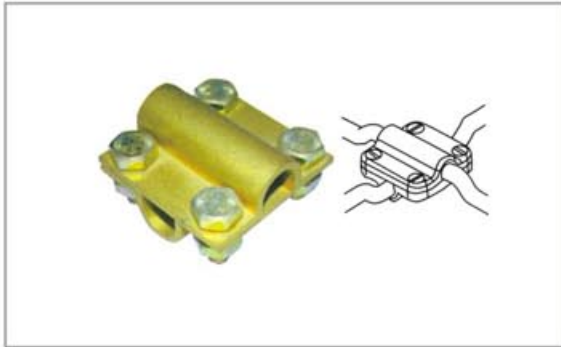
for Rod Dia	Material	Cable QTY	Cable Size	Order umber
16mm-19mm	Cu/Brass/steel bolt	1	50mm-95mm	BRAT111
16mm-19mm	Cu/Brass/steel bolt	2	50mm-70mm	BRAT112
16mm-19mm	Cu/Brass/steel bolt	3	50mm-70mm	BRAT111
16mm-19mm	Cu/Brass/steel bolt	5	50mm-70mm	BRAT112



Busbar holder

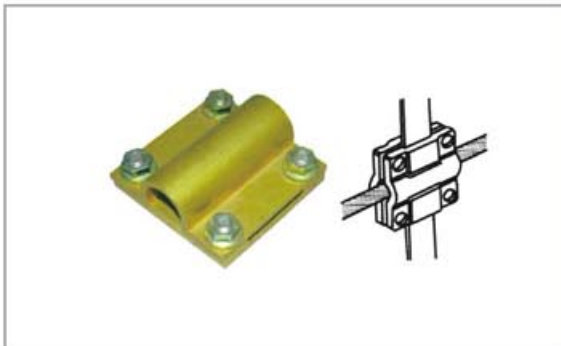
Size	Material	Pack Qty	Order Number
25x3	Cu	10	BRAT131
25x3	Al	10	BRAT132





Brass Cross Connector for Cable

Cable Size mm	Material	Order Number
50/50	Copper/Brass	BRAT141
70/70	Copper/Brass	BRAT142
95/95	Copper/Brass	BRAT143
120/120	Copper/Brass	BRAT144



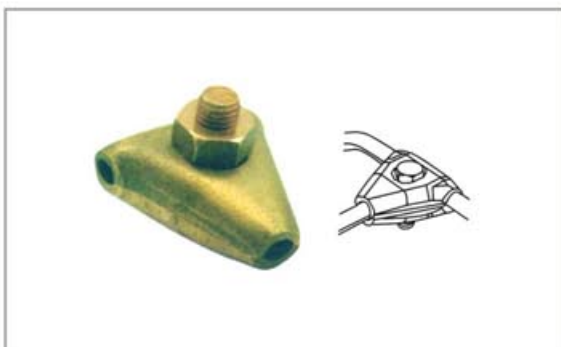
Busbar to Cable Connector

Busbar Size	Cable Size	Material	Order Number
25x3	16-70	Brass	BRAT151
25x4	95-150	Brass	BRAT152



Busbar to Cable Connector

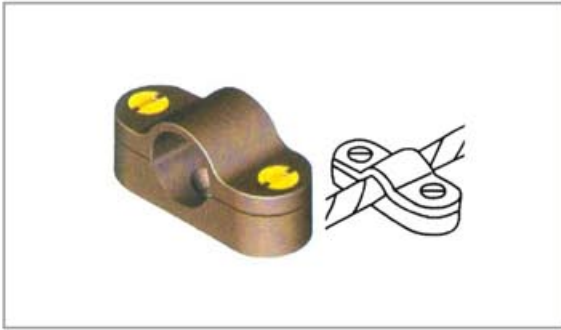
Busbar Size	Cable Size	Material	Order Number
25x3	50	Brass	BRAT151
25x3	70	Brass	BRAT152



T connector

Size	Material	Weight	Order Number
8mm	Cu/Brass	0.18	BRAT171
8mm	Al	0.07	BRAT312





Casted Cable saddle

Conductor Size	Material	Weight	Order Number
50mm <sup>2</sup>	Brass	0.25	BRAT351
70mm <sup>2</sup>	Brass	0.27	BRAT352
95mm <sup>2</sup>	Brass	0.27	BRAT353



Earth Rod to Busbar Connector

Busbar Size	Rod Size	Material	Order Number
26x12mm	12.5mm	Cu	BRAT361
26x12mm	16mm	Cu	BRAT362
26x12mm	20mm	Cu	BRAT363



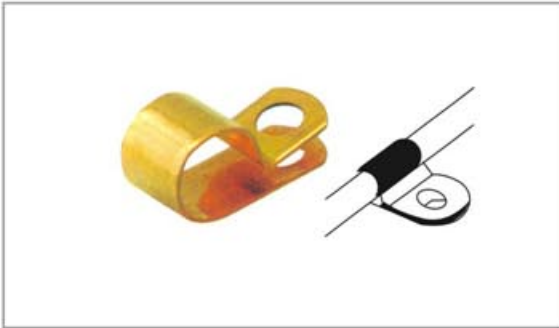
Earth Rod to Cable Connector

Cable Size	Rod Size	Material	Order Number
16-50mm <sup>2</sup>	12.5mm	Cu	BRAT361
16-70mm <sup>2</sup>	16mm	Cu	BRAT362
16-95mm <sup>2</sup>	20mm	Cu	BRAT363



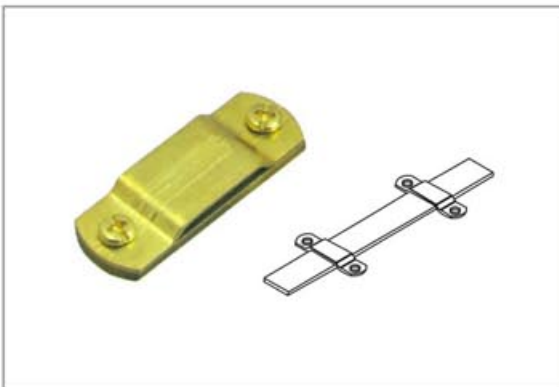
Cross link

Size	For cable	Material	Order Number
60mm <sup>2</sup>	45-60mm <sup>2</sup>	Cu	BRAT381
98mm <sup>2</sup>	77-98mm <sup>2</sup>	Cu	BRAT382
122mm <sup>2</sup>	99-122mm <sup>2</sup>	Cu	BRAT383
154mm <sup>2</sup>	123-154mm <sup>2</sup>	Cu	BRAT384
190mm <sup>2</sup>	155-190mm <sup>2</sup>	Cu	BRAT385
240mm <sup>2</sup>	191-240mm <sup>2</sup>	Cu	BRAT386



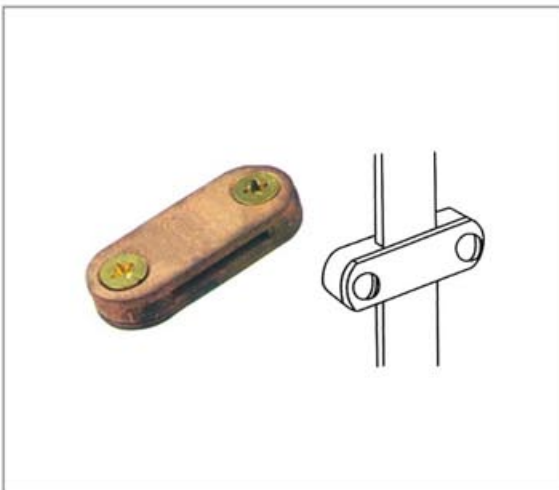
Cable holder

Size	Material	Order Number
M8	Cu	BRAT391
M10	Cu	BRAT392
M8	Al	BRAT393
M16	Al	BRAT394



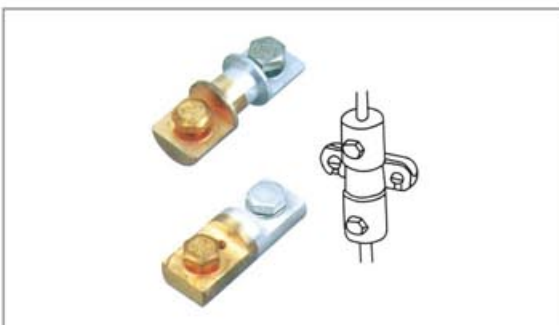
Busbar fix

For busbar size	Material	Weight	Order Number
25x3mm	Cu	0.23	BRAT421
25x6mm	Cu	0.42	BRAT422
31x3mm	Cu	0.30	BRAT423
50x6mm	Cu	0.98	BRAT424
25x3mm	Al	0.07	BRAT425



Busbar fix

For busbar size	Material	Weight	Order Number
25x3mm	Cu	0.07	BRAT431
25x6mm	Cu	0.08	BRAT432
31x3mm	Cu	0.09	BRAT433
31x6mm	Cu	0.10	BRAT434
40x4mm	Cu	0.14	BRAT435
40x6mm	Cu	0.15	BRAT436
50x4mm	Cu	0.16	BRAT435
50x6mm	Cu	0.17	BRAT436



Copper Aluminium Busbar connector

Size	Material	Order Number
25x3-25x3	Cu-Al	BRAT441
25x3-25x3	Cu-Al	BRAT442